

AC-Coupling Kit with Single Inverter

Single Phase 120/240 V - 14.4 kW backup, PV array up to 8.5 kW



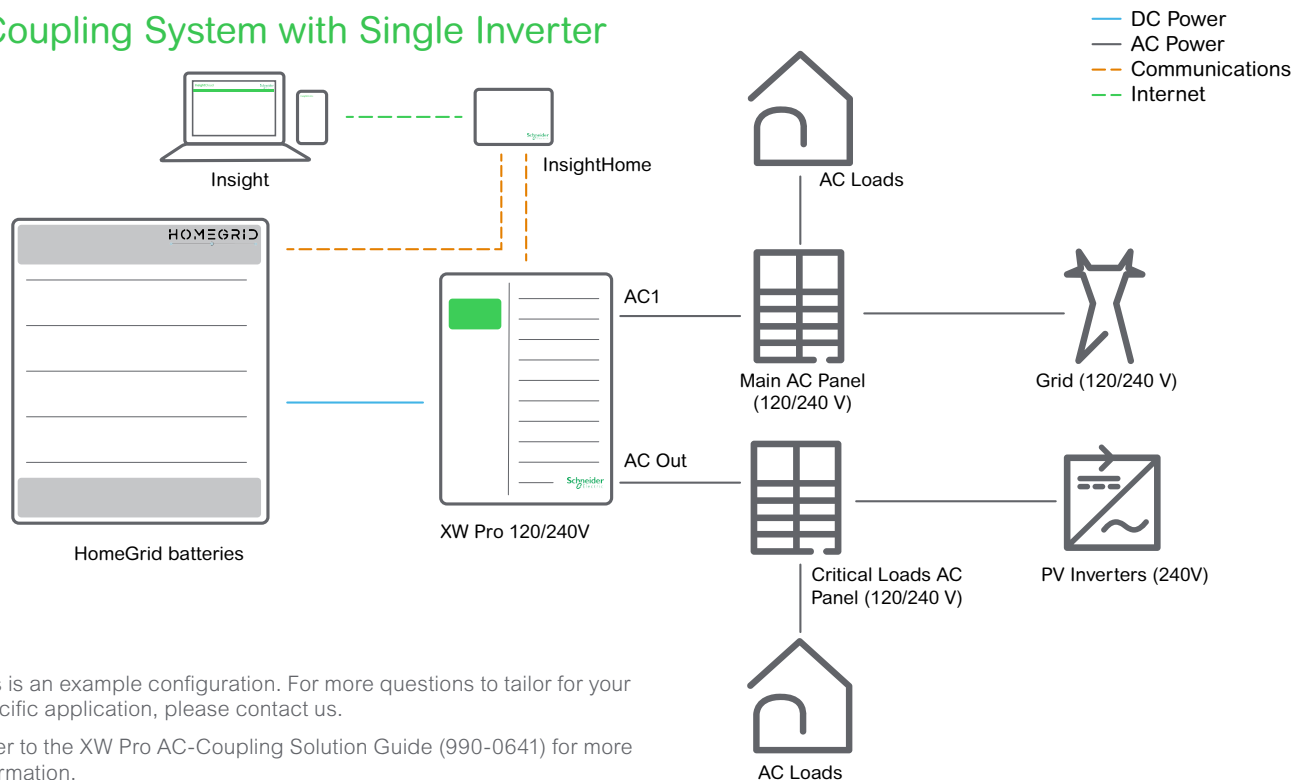
Bill of Materials

Qty	Part Number	Product Name
1	865-6848-21	XW Pro 120/240 V
1	865-1013-01	XW Mini PDP
1	HG-MC1000-200M2	HomeGrid BMS/Base
3	HG-FS48100-15OSJ1	HomeGrid 4.8 kWh Module Battery
1	865-0330	InsightHome

Integration Options

- Works with up to 8.5 kW PV
- Generator compatible with Schneider Electric LC1D188G7 Contactor and Conext AGS (865-1060-01)

AC-Coupling System with Single Inverter



- This is an example configuration. For more questions to tailor for your specific application, please contact us.
- Refer to the XW Pro AC-Coupling Solution Guide (990-0641) for more information.